

OFFICE OF THE COMPETENT AUTHORITY FOR BUILDING PERMISSIONS
(COMMISSIONER SRINAGAR MUNICIPAL CORPORATION)

ORDER NO: 3064 OF 2018

Dated: 06/06/2018

Subject: Building permission under section 243,244 of the Jammu and Kashmir Municipal Corporation Act, 2000 read with the Jammu and Kashmir Municipal Corporation Building Bye Bye-Laws, 2011 framed by a committee constituted by Government of Jammu and Kashmir and approved by the Housing and Urban Development Department vide No: UD/98/2009/SDA Dated: 01/09/2011 published in the Government Gazette vide notification No: 06 of 2011 Dated: 08/09/2011.

Reference:- Building permission submit No: 5018 Dated: 18/09/2017.

Pursuant to the approval of the Competent Authority, made in online system of building permission at Level IV, sanction is hereby accorded in terms of Section 243,244 of the Jammu and Kashmir Municipal Corporation Act, 2000 read with Jammu and Kashmir Municipal Corporation Building Bye Laws, 2011, Vide Notification No: 06 of 2011 Dated: 08/09/2011, in favour of MR. NIYAZ AHMAD LONE S/O GHULAM MUHAMMAD LONE R/O CHATTABAL SRINAGAR for CONSTRUCTION OF DOUBLE STOREYED RESIDENTIAL HOUSE AND ERECTION OF COMPOUND WALLING. On a plot of land comprising survey No: 341/210 MIN situated in Estate: BARTHANA site at: REHMAT COLONY QAMARABAD SRINAGAR delineated in the enclosed drawings duly attested with seal and signature of the Joint Commissioner (Planning). The building permission so granted shall be subject to the following set-backs and other terms and conditions detailed herein below:-

(A)	FRONT	15'-0" from the edge of plot towards West side.
(B)	REAR	08'-0" from the edge of plot towards East side.
(C)	ONE SIDE	08'-1" from the edge of plot towards North side.
(D)	OTHER SIDE	To be kept blind towards South side.
(E)	Total plinth area permitted: 454-0 Sft.	
(F)	Height of the structure from ground level to ridge top 28'-0".	
(G)	Compound Walling up to height of 5.6" in all.	

J/C W/B-P
for upload
20/6/18

9/6/18

R No. SMC/10/675
DT: 28.06.18

That the permittee/s shall commence the proposed construction only in presence of the concerned Ward Officer/building inspector or the concerned enforcement Officer in accordance with the sanctioned plan i.e. at plinth level, ground floor level and above. The Ward Officer/Building Inspector shall monitor the construction strictly as per approved plan and shall forward status report to Competent Authority and Officer authorized in this behalf.

That the persons on record Viz. Structural Engineer, Architect Construction Engineer shall be responsible for strict adherence of the provision of the building Bye Laws as referred to hereinabove and the permittee/s shall be bound to adhere to their instructions in accordance with the prescribed Bye-Laws.

That the permittee/s shall be liable for strict implementation of all terms and conditions /restriction imposed by the line Departments in their NOCs and other conditions applicable in such nature of contracture as provided in the law and rules framed hereunder.

That the permittee/s shall in no case change the use of building permitted for. This shall be applicable to owner/developer as well as occupier.

That this permission appended with duly authenticated plans shall be valid for a period of three years only from the date of its issuance.

SPECIFIC CONDITION(S) IF ANY.

1. That the applicant shall obtain completion certificate/occupancy certificate from the Competent Authority before putting the said building to use.
2. The applicant shall use solar technology, water harvesting techniques and Green Building Technology.
3. The applicant shall plant trees / greeneries/ wall creepers/ shrubs within the setbacks/ non-built-up spaces of the plot/ premises and also reduce the quantum of paved area in order to have positive impact on urban climate change/ carbon footprint and minimizing urban heat engine effect.
4. The applicant shall use earth quake resistant technology and techniques for safe construction conforming to National Building Code of India/ BIS code under close supervision of structural Engineer and a certificate to this effect to be provided by Competent Structure Engineer. A Copy of structural drawings to be submitted in SMC for record and reference duly signed/ authenticated by a qualified structural engineer/ consultant.
5. The applicant shall provide facilities for disposal of Solid Waste which should conform to the requirement of the Municipal Solid Waste (Management & Handling) Rules, 2000.
6. A complete set of executed drawing to be submitted to SMC after completion/ occupation.
7. Any deviation to the granted permission shall render it null & void.
8. That the applicant shall abide by all conditions put forth by respective departments with respect to the proposal.
9. The applicant shall adhere to the terms / conditions laid down by the Line departments including the S&D department.

Signed and issued by order of Competent Authority.

Joint Commissioner (Planning)
Srinagar Municipal Corporation
09/06/18
916/18

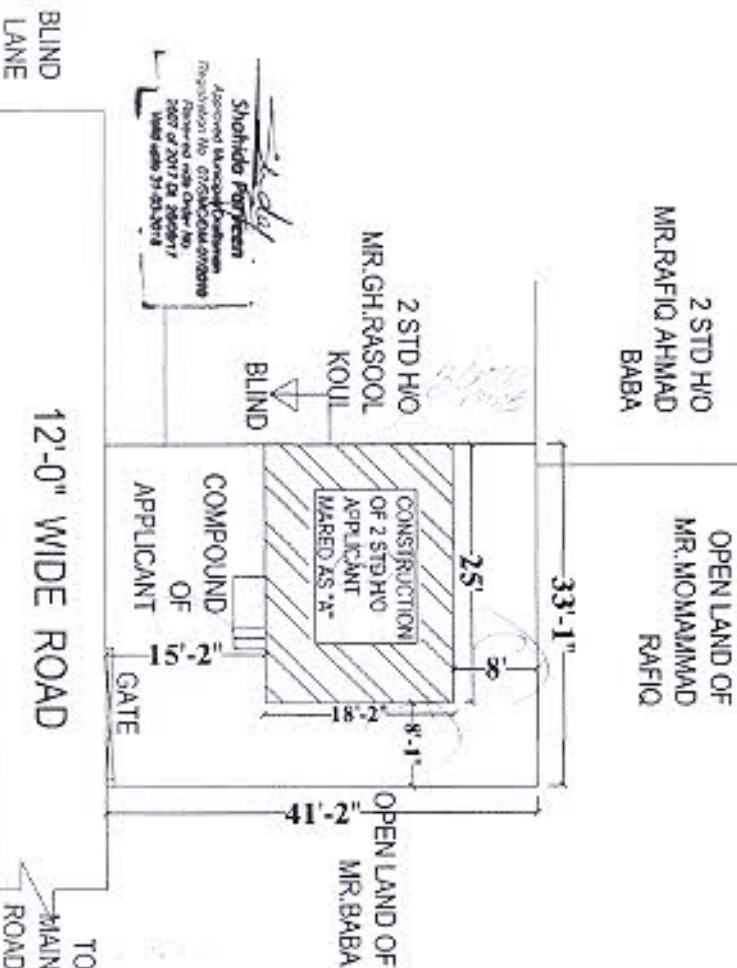
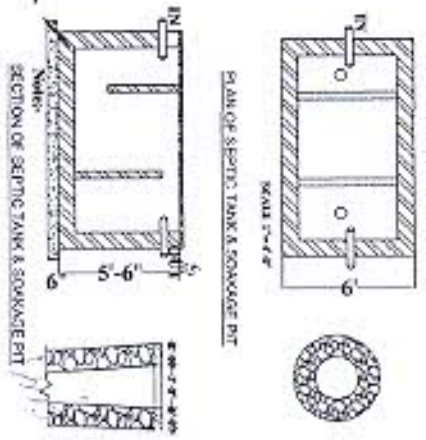
No: SMC/ICP/ 376-79

Dated: 09/06/2018

Copy to the:

1. Chief Enforcement Officer, SMC for information and necessary action.
2. Informatics Officer, SMC for e-filing of the building permission file and uploading on web site for information / viewing of general public.
3. Ward Officer, Ward No 23 for information and necessary action. The permittee (s) has the construction fee assessed to the tune of Rs. 5,978/-. Vide G.R No. 25912 Dated: 28/05/2018. He shall monitor strict adherence of the permission at initial stage and shall not allow any deviation to take place. He shall submit periodical report in this behalf.
4. Applicant for information.

Received
Permittee
Mr
9/6/2018.



Approved Management/Construction
Regulation No. 07/2013-2014
Power of 2017 (2018)
2007 of 2017 (2018)
Valid upto 31-03-2019

OPEN LAND OF
MR. SAJJAD AHMAD
SHAH

2 STD H/O
MR. RAFIQ AHMAD
BABA

OPEN LAND OF
MR. MOMAMMAD
RAFIQ

2 STD H/O
MR. GH. RASOOL
KOUJI

OPEN LAND OF
MR. BABA

BLIND
LANE

PROPOSED
SITE

S.B.U.A

S.B.U.A

LANE

LANE

B.U.A

LANE

B.U.A

TO
BARTHANA

TO
S.B.U.A

TO
SHOPS

TO
SHOPS

TO
SHOP

TO
FRUIT MANDI

TO
BUS ADDA
PARIMPORA

LANE

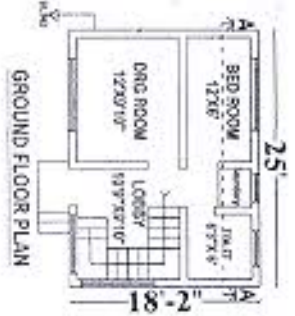
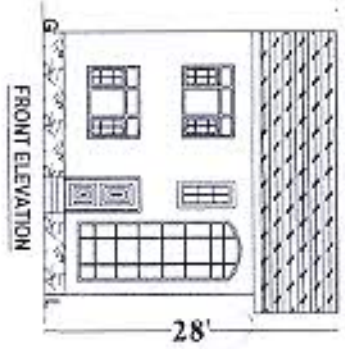
GRID

GRAVE
YARD

LANE

PARIMPORA

KEY PLAN (NOT TO SCALE)



Specifications:

- 01) 1/2" brick walling 4' conc. slab etc.
- 02) 4" AC - 8/8 in concrete 1 1/2" etc.
- 03) Plinth - 8/8 in concrete 1 1/2" etc.
- 04) Structure - 8/8 in concrete 1 1/2" etc.
- 05) Landing - R.C.C. (Landing concrete comp. 1:1:1) etc.
- 06) Roofing - Wooden truss with C.G.I sheet roofing.
- 07) Sanitary - Fixtures and Fixings should be as per specification.

Project Title :-

PROPOSED CONSTRUCTION OF TWO
STORED RESIDENTIAL HOUSE MARKED
AS "A" AND COMPOUND
WALLING AROUND THE PLOT

BY

MR. NIYAZ AHMAD LONE
S/O GH. MOHAMMAD LONE
S/A REHMAT COLONY
QAMARABAD
R/O CHATTABAL

Plinth Area :- 455.65 SFT

Plot Area :- 1360 SFT

ground coverage :- 0.33

F.S.T :- 0.67